

TECHNICAL DATA SHEET

BIRDS NEST SWING SET

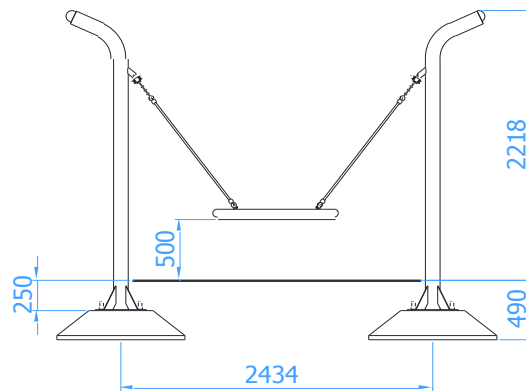
Catalogue number: 2260

It shall apply from: 28-07-2022

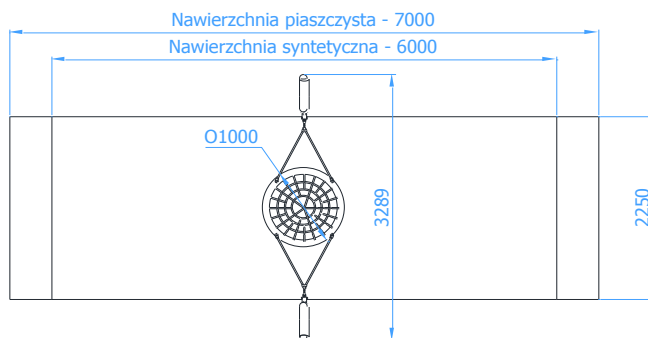
Max. free fall height:	1,17 m
Product Dimensions: (length x width x height)	1,00 x 3,29 x 2,22 m
Impact area: (length x width)	7,00 x 2,25 m – sandy surface 6,00 x 2,25 m – synthetic surface
Free zone	15,8 m ² – sandy surface 13,5 m ² – synthetic surface



Product dimensions



Impact area dimensions



Permissible impact attenuating surface

- Bark – grain size 20 do 80mm, min. depth 200
- Woodchip – grain size 5 do 30 mm, min. depth 200mm
- Sand – grain size 0,2 do 2 mm, min. depth 200mm
- Gravel – grain size 2 do 8 mm, min. depth 200 mm
- Synthetic surfaces in accordance whit tested HIC (EN 1177)

The impact attenuating surfacing shall be installed on the whole of impact area.

A loose-fill safety surface shall be 100mm thicker than min. depth indicated above.

Technical description

- The construction made of steel pipes: $\varnothing 114,3 \times 4 \text{ mm}$
- The nest seat with a diameter of 1m,
- Suspension made of stainless steel chains $\varnothing 6 \text{ mm}$ and reinforced rope
- the use of Teflon bushings ensures smooth swing. The swing system requires no maintenance.
- All steel elements are hot dip galvanized and painted with a structural, acrylic lacquer
- The set includes foundations made of concrete class C25/30
- In case of applying a synthetic surface that is on the same level that the surrounding surface, an additional 0.5 m of obstacle-free space should be taken into account in both directions of movement of the swing.

Product visualization

TECHNICAL DATA SHEET

